



## LDF - Lincat Lynx 400 Electric Counter-top Single Tank General Purpose Fryer - 1 Basket - W 270 mm - 3.0 kW

The 3kW Lynx 400 Electric Counter Top Fryer is designed to plug in and play, which means that you'll be producing perfect fried chips in no time at all.

- ✓ Removable control head to aid easy cleaning and maintenance
- ✓ Thermostatically controlled to give better and more consistent cooking results
- ✓ Safety thermostat to prevent overheat
- ✓ Stainless steel tanks for easy cleaning
- ✓ Comes with batter plate to allow open frying
- ✓ Nickel plated baskets for easy cleaning
- ✓ Plug and play for an easy installation

### Specifications

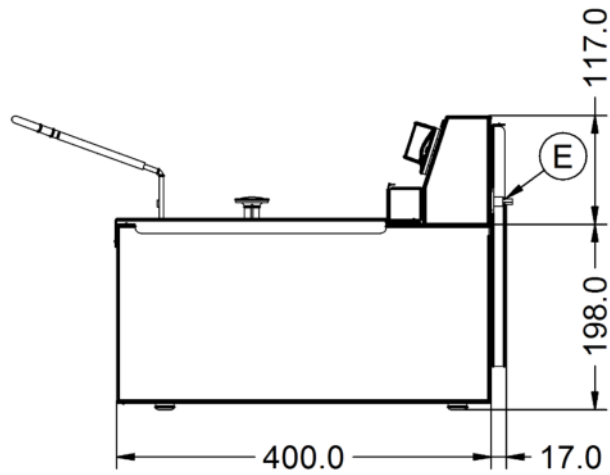
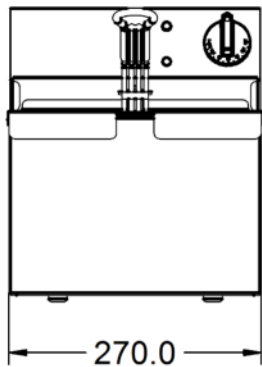
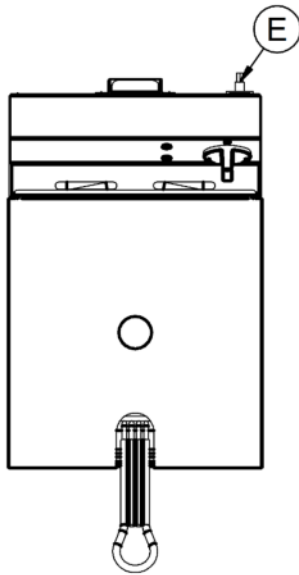
Summary		Power and Performance	
<b>Brand</b>	Lincat	<b>Total Power kW</b>	3.0
<b>Range</b>	Lynx 400	<b>Temperature Range °C</b>	130-190
<b>Power Type</b>	Electric	<b>IP Rating</b>	IP23
<b>Unit Type</b>	Counter-top	<b>Temperature Control</b>	Mechanical
<b>Available in UK Only</b>	No		
<b>UK Warranty</b>	2 Years Parts and Labour Warranty		
<b>Export Warranty</b>	Contact your local dealer		
<b>GTIN</b>	5056105101024		

Key Specifications		Capacity	
<b>Number of Baskets</b>	1	<b>Product Output per Hour</b>	8kg chips - 12mm [frozen], 11kg chips - 12mm [chil]
<b>Number of Tanks</b>	1	<b>Capacity Litres</b>	4.0
<b>Gravity Filtration</b>	No		
<b>Pumped Filtration</b>	No		

Weights and Dimensions		Supply Connections	
<b>Unit Height (External) mm</b>	315	<b>Requires Installation</b>	No
<b>Unit Width (External) mm</b>	270	<b>Requires Electrical Supply</b>	Yes
<b>Unit Depth (External) mm</b>	417	<b>UK 3 Pin Plug</b>	Yes
<b>Net Weight Kg</b>	8	<b>Requires Hardwiring</b>	No
		<b>Electrical Supply Rating Watts</b>	3,000
		<b>Single Phase Amps</b>	13.0
		<b>Single Phase Voltage</b>	230

Shipping	
<b>Packed Weight Kg</b>	8.8
<b>Packed Height cm</b>	42
<b>Packed Width cm</b>	48
<b>Packed Depth cm</b>	38

### Technical Picture



**Lincat Limited**

Whisby Road,  
Lincoln, LN6 3QZ,  
United Kingdom

**Company No:** 2175448

A member company of



**Customer Care**

**Tel:** +44 1522 875500  
**Email:** care@lincat.co.uk

**Export Customers**

**Tel:** +44 1522 875536  
**Email:** export@lincat.co.uk

**Opening Hours**

**Monday – Friday:**  
8.30am – 5pm